



MULTILIFT

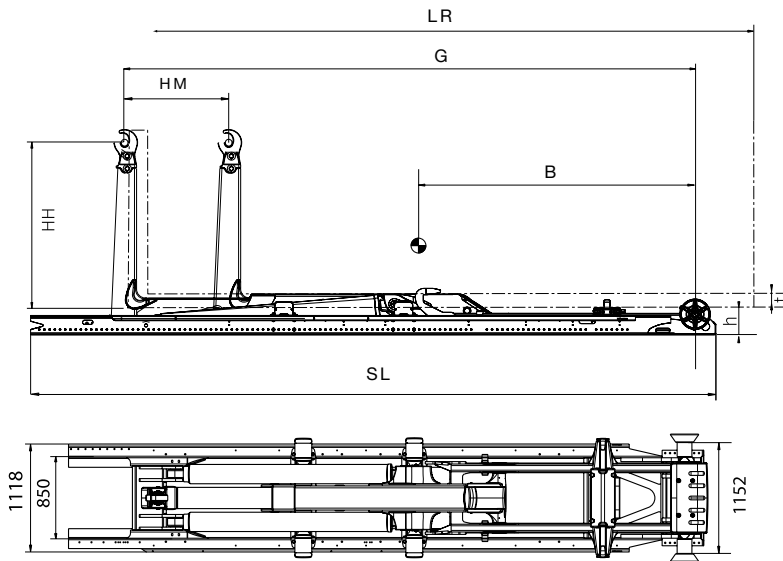
MULTILIFT ULTIMA 24S POWER RANGE HOOKLIFTS



TECHNICAL INFORMATION

MULTILIFT ULTIMA 24S BASIC DATA

Type	ULTIMA 24S
Vehicle type	4 axle
GVW of the vehicle (t)	32
Capacity (t)	24
G-length	55
System weight (kg) *	2520
Tipping angle (°)	49
Max. operating pressure (MPa)	30
Recommended oil flow (l/min)	100



Primary dimensions

Technical data	ULTIMA 24S.55
LR = Body length (m) (min – max)	4.7 - 6.5
SL = Subframe length (mm) **	6583
BW = Body width (mm)	1152
B = Centre of gravity (mm)	3050
G = Exact G-length (mm)	5480
HM = Horizontal movement (mm)	1000
t = Min free tunnel height (body) (mm)	125
h = Installation height (mm)	250
HH = Hook height (mm)	1575

* Weight includes hydraulic body locking and excludes oil tank and oil.

** The subframe length (SL) can be reduced to achieve a final installation length. The minimum installation length depends upon country and control valve position. For an exact installation length dimension please contact your local Hiab Multilift dealer.

Hiab Multilift equipments meet the demands set forth in the EU Machine Directive and they are CE marked.

Disclaimer. We reserve the right to make changes. Illustrations, drawings and data are not always in accordance with the latest version or standard model in production. The models in the pictures may present special equipment or colours.