

Standard Equipment/Optional Equipment

Standard Equipment

Linde twin drive pedals to control forward/reverse travel and braking

Original Linde Load Control integrated in armrest

Container entry height (overhead guard 2,170 mm)

Hydraulic suspended comfort-class seat with extensive range of adjustment

Hydrostatic steering, kickback free

High safety and stability ensured by Linde ProtectorFrame

Anti-glare display with fuel gauge, clock, hour meter and service information

Control lights on display for engine oil pressure, engine overheating, parking brake, audible warning signal for engine and hydraulic oil temperature, blocked intake filter and low fuel level

Plenty of storage space for writing utensils, beverage cans...

Air intake filter with integrated cyclone separator

High-performance hydraulic filter concept, guarantees maximum oil purity and extends life of all hydraulic components

Superelastic tyres

LPG truck fitted with a two-way catalytic converter

The mounting of the gas bottle is ergonomically designed for easy changing

LPG truck fitted with accurate ultrasonic fuel level indicator for exchange bottles

LPG volumetric fuel tank version with fuel level indicator at the display

New STANDARD features for the Evo models:

Variable displacement pump for best energy consumption and less noise emission

New seat/armrest generation for outstanding ergonomics
H20/600 replaces H20/500

LEPS (Linde-Engine-Protection-System) as monitoring of the most important truck parameter

Curve Assist for automatic speed adaption

Intelligent drive dynamic modi now integrate lift hydraulic

Enhanced steering axle

Handhold for safe access at A-pillar

Energy-efficient electric fan

Optional Equipment

Single drive pedal with direction selector on armrest

Overhead guard can be upgraded to full cabine with roof, front and rear screens and doors (also available with tinted glass)

Wiper-washers for front, rear and roof screens

Further seats with additional comfort and adjustments

Cab heater with integrated pollen filter

Air Conditioning

Radio with CD-player and speakers

Sun screens, clipboard, interior lighting, height adjustable steering column

Standard masts from 3,150 mm to 6,550 mm lift

Duplex masts (full free lift) from 3,170 mm to 4,720 mm lift

Triplex masts (full free lift) from 4,715 mm to 6,465 mm lift

Integrated sideshift

Integrated fork positioner

Load backrest

One or two auxiliary hydraulic circuits for all mast types

Alternative fork lengths

Tilt cylinder- and roof protection

Truck lighting, working lamps

Audible reversing alarm, flasher and strobe beacons

Mirrors

Linde original Blue Spot

Camera and colour monitor

Road traffic specifications

Integrated diesel particulate filter with status indicator at the display

Air precleaner

Oilbath air precleaner

Water trap with audible warning

Volumetric tank (LPG) with capacities of 45 l or 55 l

3-way catalytic converter (LPG)

Unregulated catalyst (Diesel)

CNG (natural gas) version

Linde Forklift Data Management

Custom paintwork

Other options available on request



Diesel, LPG and CNG Forklift Trucks
Capacity 2000 - 2500 kg
H20/600 *EVO*,
H25/500 *EVO*

Series 392_02

Linde Material Handling

Linde

Features

Original Linde hydrostatic drive

- Sensitive, smooth, and precise driving
- Variable displacement pump for best energy consumption
- No clutch, differential, or drum brakes thanks to hydrostatic direct drive
- Robust drive even in extreme environments

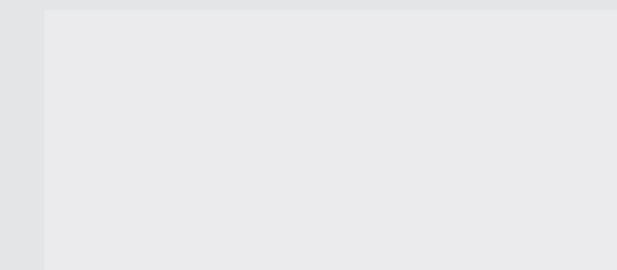
Linde twin drive pedals

- Fast and smooth travel direction changes without constantly moving feet from one pedal to the other
- Short pedal travel
- No strain on ankles or legs
- Operator maintains high efficiency levels



Linde operator's compartment

- Advanced functional design for optimum operator comfort and efficiency
- Superb working environment with spacious leg and headroom
- Excellent visibility of load and surrounding environment through the slim-line mast sections
- Resilient mounting of mast and drive axle absorbs road shocks and vibrations
- Quiet, stress-free working



Linde Material Handling GmbH, Postfach 10 01 36, 63701 Aschaffenburg, Germany
Phone +49.60 21.99-0, Fax +49.60 21.99-15 70, www.linde-mh.com, info@linde-mh.com

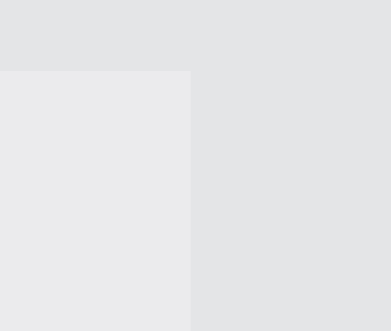
Linde Load Control

- Mini levers for all mast functions mounted on an adjustable armrest
- Precise and effortless fingertip control of all hydraulic functions for safe, efficient load handling
- Engine rpm is automatically synchronised to precisely match hydraulic demands



Variable displacement pump

- For mast functions and additional hydraulic circuits
- Electrically controlled by Linde Load Control levers
- The Linde pump only provides the required oil volume
- Less fuel consumption
- Less noise
- Extended hydraulic oil change intervals



Linde ProtectorFrame

- Enclosed, robot-welded chassis for maximum durability and protection of components
- A hinged engine cover and removable service panels give wide, easy access for maintenance
- Hand grip on A-pillar for safe on/off access



High-economy engine technology

- Modern, advanced technology Diesel, LPG and CNG engines matched to Linde's demanding requirements
- High torque for impressive and flexible performance
- Extremely fuel efficient
- Exhaust emissions significantly below the current European limits



Linde clear-view mast

- Superb visibility through the slim profile mast sections
- Full load capacity available up to maximum lift height
- Excellent residual capacities
- Maintenance-free resilient rubber mounting of mast/drive axle and tilt jacks
- Electronic control of tilt angle
- Electronic cushioning of end travel for forward/back tilt



Subject to modification in the interest of progress. Illustrations and technical details could include options and not binding for actual constructions. All dimensions subject to usual tolerances.

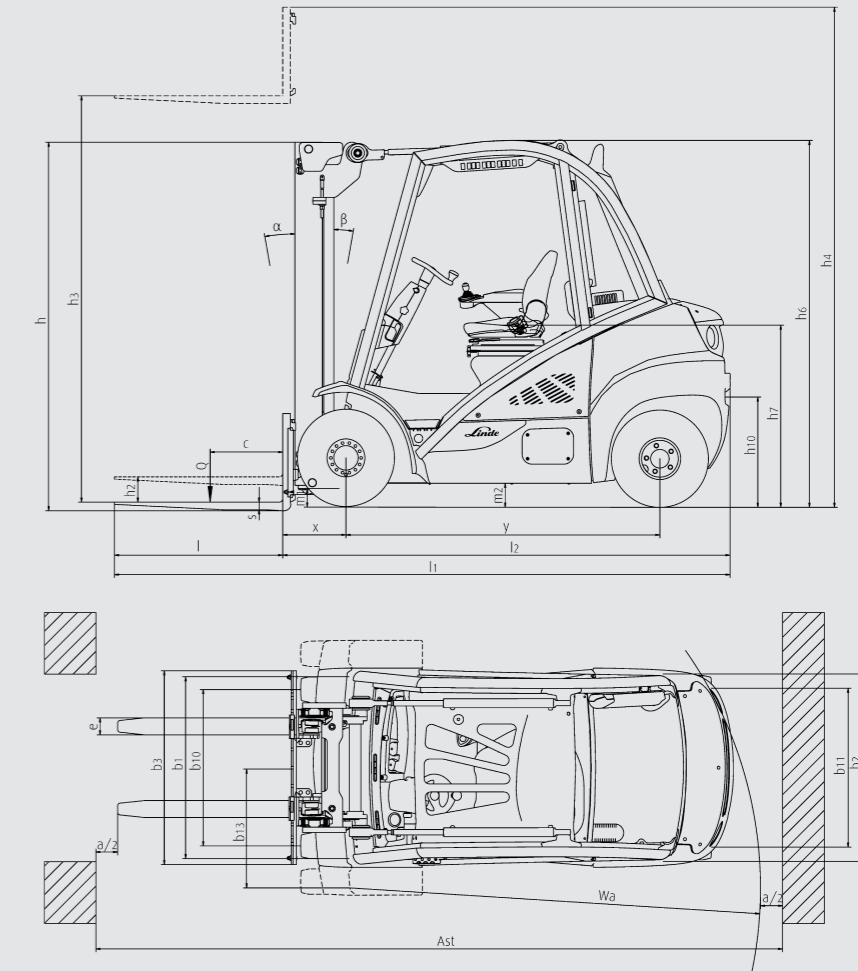
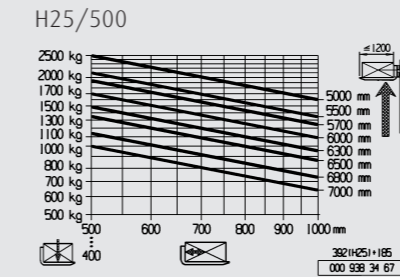
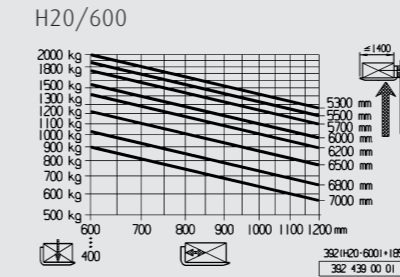
Printed in Germany 142_e.3.112.ind.A.KI

Technical Data according to VDI 2198

		LINDE	LINDE	LINDE	LINDE	LINDE	LINDE		
Characteristics	1.1	Manufacturer	LINDE	LINDE	LINDE	LINDE	LINDE		
	1.2	Model designation	H20/600D	H25D	H20/600T	H25T	H20/600 CNG	H25 CNG	
	1.2a	Series	392-02	392-02	392-02	392-02	392-02	392-02	
	1.3	Power unit	Diesel	Diesel	LPG	LPG	CNG	CNG	
	1.4	Operation	Seat	Seat	Seat	Seat	Seat	Seat	
	1.5	Load capacity	Q (t)	2.0	2.5	2.0	2.5	2.0	2.5
	1.6	Load centre	c (mm)	600	500	600	500	600	500
	1.8	Axle centre to fork face	x (mm)	390	390	390	390	390	390
	1.9	Wheelbase	y (mm)	1865	1905	1865	1905	1865	1905
Weights	2.1	Service weight	(kg)	3374	3575	3355	3556	3355	3556
	2.2	Axle load with load, front/rear	(kg)	4743 / 631	5382 / 693	4707 / 648	5347 / 709	4707 / 648	5347 / 709
	2.3	Axle load without load, front/rear	(kg)	1681 / 1693	1714 / 1861	1645 / 1710	1679 / 1877	1645 / 1710	1679 / 1877
Wheels/Tyres	3.1	Tyres rubber, SE, pneumatic, polyurethane	SE ¹⁾	SE ¹⁾	SE ¹⁾	SE ¹⁾	SE ¹⁾	SE ¹⁾	
	3.2	Tyre size, front	225/75-10 (23x9-10) ²⁾	225/75-10 (23x9-10) ²⁾	225/75-10 (23x9-10) ²⁾	225/75-10 (23x9-10) ²⁾	225/75-10 (23x9-10) ²⁾	225/75-10 (23x9-10) ²⁾	
	3.3	Tyre size, rear	6.50-10	6.50-10	6.50-10	6.50-10	6.50-10	6.50-10	
	3.5	Wheels, number front/rear (x = driven)	2x (4x) / 2 ³⁾	2x (4x) / 2 ³⁾	2x (4x) / 2 ³⁾	2x (4x) / 2 ³⁾	2x (4x) / 2 ³⁾	2x (4x) / 2 ³⁾	
	3.6	Track width, front	b10 (mm)	972 (1140) ³⁾⁴⁾	972 (1140) ³⁾⁴⁾	972 (1140) ³⁾⁴⁾	972 (1140) ³⁾⁴⁾	972 (1140) ³⁾⁴⁾	
	3.7	Track width, rear	b11 (mm)	942 ⁵⁾	942 ⁵⁾	942 ⁵⁾	942 ⁵⁾	942 ⁵⁾	
	3.8	Track width, wheel	b12 (mm)	1024 ⁵⁾	1024 ⁵⁾	1024 ⁵⁾	1024 ⁵⁾	1024 ⁵⁾	
Dimensions	4.1	Mast/fork carriage tilt, forward/backward	a/b (°)	5.0 / 8.0	5.0 / 8.0	5.0 / 8.0	5.0 / 8.0	5.0 / 8.0	5.0 / 8.0
	4.2	Height of mast, lowered	h1 (mm)	2227	2227	2227	2227	2227	2227
	4.3	Free lift	h2 (mm)	150	150	150	150	150	150
	4.4	Lift	h3 (mm)	3150	3150	3150	3150	3150	3150
	4.5	Height of mast, extended	h4 (mm)	3703	3822	3703	3822	3703	3822
	4.7	Height of overhead guard (cabin)	h6 (mm)	2170	2170	2170	2170	2170	2170
	4.8	Height of seat/stand-on platform	h7 (mm)	1065	1065	1065	1065	1065	1065
	4.12	Towing coupling height	h10 (mm)	655	645	655	645	655	645
	4.19	Overall length	l1 (mm)	3635	3675	3635	3675	3635	3675
	4.20	Length to fork face	l2 (mm)	2635	2675	2635	2675	2635	2675
	4.21	Overall width	b1/b2 (mm)	1180	1180	1180	1180	1180	1180
	4.22	Fork dimensions	s/e/l (mm)	45 x 100 x 1000	45 x 100 x 1000	45 x 100 x 1000	45 x 100 x 1000	45 x 100 x 1000	45 x 100 x 1000
	4.23	Fork carriage to ISO 2328, class/type A, B		2A	2A	2A	2A	2A	2A
	4.24	Width of fork carriage	b3 (mm)	1080 ⁶⁾⁷⁾	1150 ⁷⁾	1080 ⁶⁾⁷⁾	1150 ⁷⁾	1080 ⁶⁾⁷⁾	1150 ⁷⁾
	4.31	Ground clearance, below mast	m1 (mm)	111	109	111	109	111	109
	4.32	Ground clearance, centre of wheelbase	m2 (mm)	131	129	131	129	131	129
	4.33	Aisle width with pallet 1000 x 1200 across forks	Ast (mm)	3972 ⁸⁾	4010 ⁸⁾	3972 ⁸⁾	4010 ⁸⁾	3972 ⁸⁾	4010 ⁸⁾
	4.34	Aisle width with pallet 800 x 1200 along forks	Ast (mm)	4172 ⁸⁾	4210 ⁸⁾	4172 ⁸⁾	4210 ⁸⁾	4172 ⁸⁾	4210 ⁸⁾
4.35	Turning radius	Wa (mm)	2382	2420	2382	2420	2382	2420	
4.36	Minimum pivoting point distance	b13 (mm)	580	580	580	580	580	580	
Performance	5.1	Travel speed, with/without load	(km/h)	22 / 22	22 / 22	22 / 22	22 / 22	22 / 22	22 / 22
	5.2	Lifting speed, with/without load	(m/s)	0.53 / 0.55	0.53 / 0.55	0.53 / 0.55	0.53 / 0.55	0.53 / 0.55	0.53 / 0.55
	5.3	Lowering speed, with/without load	(m/s)	0.56 / 0.56	0.56 / 0.56	0.56 / 0.56	0.56 / 0.56	0.56 / 0.56	0.56 / 0.56
	5.5	Tractive force, with/without load	(N)	15020 / 13190	15020 / 13450	15020 / 12910	15020 / 13180	15020 / 12910	15020 / 13180
	5.7	Climbing ability, with/without load	(%)	28.0 / 34.0	24.0 / 31.0	28.0 / 33.0	24.0 / 31.0	28.0 / 33.0	24.0 / 31.0
	5.9	Acceleration time, with/without load	(s)	5.2 / 4.5	5.4 / 4.7	5.0 / 4.4	5.3 / 4.5	5.1 / 4.5	5.4 / 4.6
5.10	Service brake		hydrostatic	hydrostatic	hydrostatic	hydrostatic	hydrostatic	hydrostatic	
IC-Drive	7.1	Engine manufacturer/type	VW BXT	VW BXT	VW BEF	VW BEF	VW CBS	VW CBS	
	7.2	Engine performance according to ISO 1585	(kW)	30	30	37	37	37	
	7.3	Rated speed	(1/min)	2800	2800	2600	2600	2600	
	7.4	Number of cylinders/displacement	(-/cm ³)	4 / 1896	4 / 1896	4 / 1984	4 / 1984	4 / 1984	
	7.5	Fuel consumption according to VDI cycle	(l/h)	2.3	2.5	-	-	-	
	7.5a	Fuel consumption according to VDI cycle	(kg/h)	-	-	2.3	-	-	
7.5b	Fuel consumption according to VDI cycle	(m ³ /h)	-	-	-	3.0 (H); 3.3 (L) ⁹⁾	3.2 (H); 3.5 (L) ⁹⁾		
Others	8.1	Type of drive control	LTC	LTC	LTC	LTC	LTC		
	8.2	Operating pressure for attachments	(bar)	175	205	175	205	175	
	8.3	Oil flow for attachments	(l/min)	38	38	38	38	38	
	8.4	Noise level at operator's ear	(dB(A))	79	79	79	79	79	
	8.5	Towing coupling, design/type, DIN 15 170		similar to form H	similar to form H	similar to form H	similar to form H	similar to form H	

- 1) Alternative pneumatic tyres
- 2) Optionally 6.50 - 10 twins tyres, pneum. and SE; single tyres 23x9-10/16PR and SE 23x10-12
- 3) Figures in parenthesis refer to twin front tyres.
- 4) 1024 mm for SE 23 x 10 - 12 tyres
- 5) Track width 932 mm for 23x9-10 pneumatic tyres / SE
- 6) Alternative FC width 1150 mm (6 rolls)
- 7) 1510 mm for twin tyres
- 8) Including a 200 mm (min.) operating aisle clearance.
- 9) (H)= high quality, (L)= low quality

Lifting capacity diagrams



Standard mast (in mm)							
Lift	h3	H20/25	3150	3450	3750	4050	4550
Height of mast, lowered	h1	H20/25	2227	2377	2527	2677	2927
Height of mast, extended	h4	H20	3708	4008	4308	4608	5108
	h4	H25	3822	4122	4422	4722	5222
Free lift	h2	H20/25	150	150	150	150	150
Duplex mast (in mm)							
Lift	h3	H20/25	3170	3770	4070	-	-
Height of mast, lowered	h1	H20/25	2154	2454	2604	-	-
Height of mast, extended	h4	H20	3728	4328	4628	-	-
	h4	H25	3842	4442	4742	-	-
Free lift	h2	H20	1625	1925	2075	-	-
	h2	H25	1511	1811	1961	-	-
Triplex mast (in mm)							
Lift	h3	H20/25	4715	5515	5965	6465	-
Height of mast, lowered	h1	H20/25	2154	2454	2604	2804	-
Height of mast, extended	h4	H20	5273	6073	6523	7023	-
	h4	H25	5342	6142	6592	7092	-
Free lift	h2	H20	1625	1925	2075	2275	-
	h2	H25	1511	1811	1961	2161	-

Alternative lift heights on request.