



Low-Level Man-up Order Pickers Capacity 2000 kg N20Vi, N20VLi

SERIES 1111

Safety

At the edge of the platform the operator has a perfect grip thanks to a slightly inclined edge for a safe pick. While lifting/lowering the fork carriage on the N20VLi, the operator is protected from the mast by a polycarbonate window. At no time operator's body exposed beyond the contours of the truck.

Performance

Models N20Vi and N20VLi are designed to optimize occasional 1st and 2nd level order picking with 2 different methods of putting down a picked item on forks. As the proportion of items to be picked at height is small, only the platform rises for faster picking cycle. The OptiLift proportional control rises and lowers platform for accurate picking. Lowering of platform can also be controlled by an easy to use foot switch.

Comfort

Low 135 mm step-in height and wide 432 mm entry on both sides allow easy and frequent access to the order pickers. For more comfort, the damped platform mat is acting as a deadman sensor. The user-friendly twin-grip control concentrates all controls within easy reach of either hand. While lowering, soft landing of the platform brings further comfort to the operator.

Reliability

Linde offers 2 versions of order pickers for occasional 1st and 2nd picking level to provide the optimum solution for individual organisation. The central drive wheel guarantees traction as well as straight drive down the aisle and a perfect braking. In addition, the fork tips (N20Vi) which each withstands 2000 kg contribute to a long, trouble-free life.

Service

Speed and economy continue over into truck diagnosis and preventive maintenance. The digital multifunction instrument display ensures the operator is always well informed. CAN-bus connectivity enables all truck data to be transmitted to a laptop by the service technician. Easy accessibility of all components and maintenance-free AC technology also play an important role in maximising truck uptime.

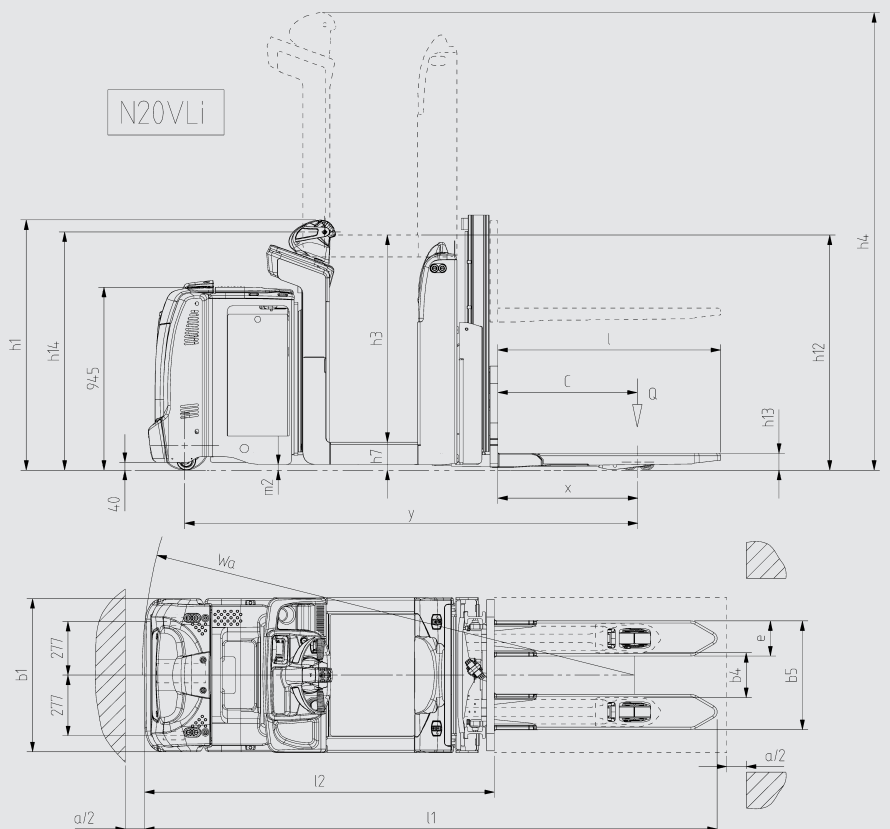
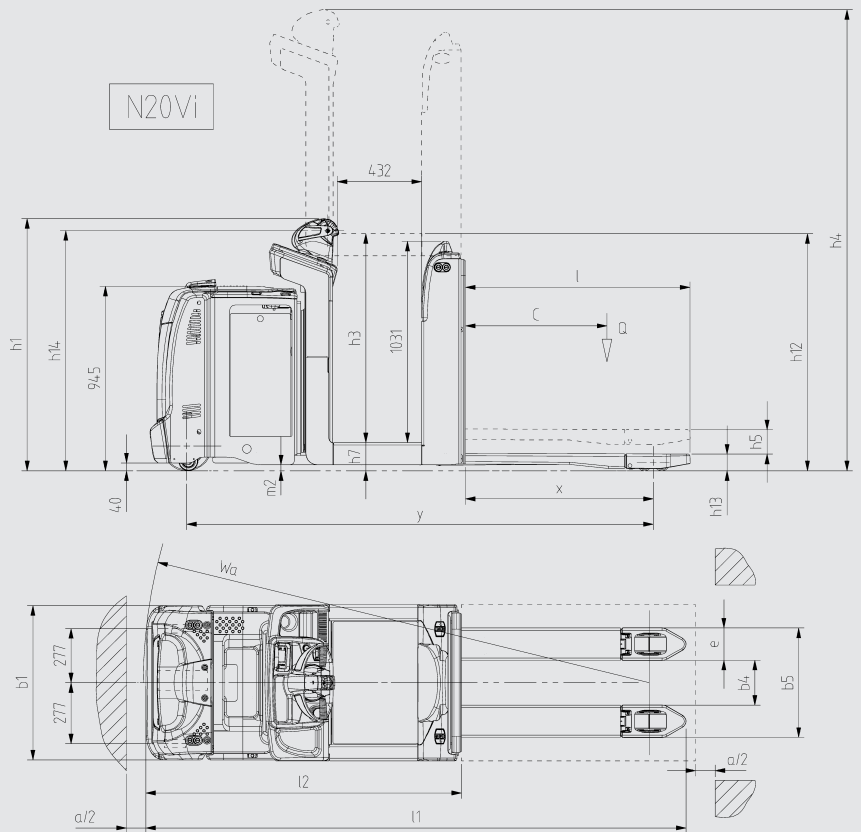
Linde Material Handling

Linde

Technical Data (According to VDI 2198)

| | | | |
|---|----------------|--|-------------------------|
| Characteristics | 1.1 | Manufacturer | |
| | 1.2 | Model designation | |
| | 1.3 | Power unit | |
| | 1.4 | Operation | |
| | 1.5 | Load capacity | Q (t) |
| | 1.6 | Load centre | c (mm) |
| | 1.8 | Axle centre to fork face | x (mm) |
| | 1.9 | Wheelbase | y (mm) |
| | Weights | 2.1 | Service weight |
| 2.2 | | Axle load with load, front/rear | (kg) |
| 2.3 | | Axle load without load, front/rear | (kg) |
| Wheels/Tyres | 3.1 | Tyres | |
| | 3.2 | Tyre size, front | |
| | 3.3 | Tyre size, rear | |
| | 3.5 | Wheels, number front/rear (x = driven) | |
| | 3.6 | Track width, front | b10 (mm) |
| | 3.7 | Track width, rear | b11 (mm) |
| | Dimensions | 4.2 | Height of mast, lowered |
| 4.4 | | Lift | h3 (mm) |
| 4.5 | | Height of mast, extended | h4 (mm) |
| 4.6 | | Initial lift | h5 (mm) |
| 4.8 | | Height of seat/stand-on platform | h7 (mm) |
| 4.9 | | Height of tiller arm in operating position, min/max | h14 (mm) |
| 4.14 | | Platform height, raised | h12 (mm) |
| 4.15 | | fork height, lowered | h13 (mm) |
| 4.19 | | Overall length | l1 (mm) |
| 4.20 | | Length to fork face | l2 (mm) |
| 4.21 | | Overall width | b1/b2 (mm) |
| 4.22 | | Fork dimensions | s/e/l (mm) |
| 4.23 | | Fork carriage to ISO 2328, class/type A, B | |
| 4.25 | | Fork spread, min/max | b5 (mm) |
| 4.26 | | Width between reach legs | b4 (mm) |
| 4.32 | | Ground clearance, centre of wheelbase | m2 (mm) |
| 4.34 | | Aisle width with pallet 800 x 1200 along forks | Ast (mm) |
| 4.35 | Turning radius | Wa (mm) | |
| Performance | 5.1 | Travel speed, with/without load | (km/h) |
| | 5.2 | Lifting speed, with/without load | (m/s) |
| | 5.3 | Lowering speed, with/without load | (m/s) |
| | 5.8 | Maximum climbing ability, with/without load | (%) |
| | 5.10 | Service brake | |
| Drive | 6.1 | Drive motor, 60 minute rating | (kW) |
| | 6.2 | Lift motor rating at S3 15% | (kW) |
| | 6.3 | Battery according to DIN 43531/35/36 A,B,C,no | |
| | 6.4 | Battery voltage/rated capacity (5h) | (V/Ah) |
| | 6.5 | Battery weight (± 5%) | (kg) |
| | 6.6 | Power consumption according to VDI cycle | (kWh/h) |
| Others | 8.1 | Type of drive control | |
| | 8.4 | Noise level at operator's ear | (dB(A)) |
| 1) (± 5 mm) 2) ± 0 mm = 3 PzS; +100 mm = 4 PzS 3) Overhang 188 mm 4) (± 10%) | | 5) Figures with battery, see line 6.4/6.5. 6) (± 5%) 7) (Platform);(forks) 8) (Platform);(initial lift);(forks) | |

| LINDE | LINDE |
|---|---|
| N 20 VI | N 20 VLi |
| Battery | Battery |
| Order Picker | Order Picker |
| 2.0 | 2.0 |
| 600 | 600 |
| 962 ¹⁾ | 723 ¹⁾ |
| 2289 ²⁾³⁾¹⁾ | 2239 ²⁾¹⁾ |
| 1377.0 ⁴⁾⁵⁾ | 1781.0 ⁴⁾⁵⁾ |
| 1327.0/2050.0 ⁴⁾⁵⁾ | 1276.0/2505.0 ⁴⁾⁵⁾ |
| 1011.0/366.0 ⁴⁾⁵⁾ | 1166.0/615.0 ⁴⁾⁵⁾ |
| Polyurethane | Polyurethane |
| 254X102 | 254X102 |
| 4xØ85x80 | 4xØ85x60 |
| 1x + 2 / 4 | 1x + 2 / 4 |
| 277 / 277 ¹⁾ | 277 / 277 ¹⁾ |
| 355/395 ¹⁾ | 380 ¹⁾ |
| 1292 ¹⁾ | 1500 ¹⁾ |
| 1065 ¹⁾ | 1065 ¹⁾ |
| 2357 ¹⁾ | 2357 ¹⁾ |
| 110 | 110 |
| 135 | 135 |
| 1244 | 1244 |
| 1200 ¹⁾ | 1200 ¹⁾ |
| 86 | 86 |
| 2667 ²⁾³⁾¹⁾ | 2855 ²⁾¹⁾ |
| 1517 ²⁾³⁾¹⁾ | 1705 ²⁾¹⁾ |
| 800 ¹⁾ | 800 ¹⁾ |
| 60x165x1150 | 60x182x1150 |
| no | no |
| 520/560 ¹⁾ | 560 ¹⁾ |
| 246 / 286 | 230 |
| 30 | 30 |
| 2929 | 2950 |
| 2491 | 2470 |
| 10.0/10.0 ⁴⁾ | 10.0/10.0 ⁴⁾ |
| (0.21/0.21);(0.065/0.117) ⁴⁾⁷⁾ | (0.21/0.21);(0.07/0.12);(0.16/0.24) ⁴⁾⁸⁾ |
| (0.5/0.5);(0.068/0.068) ⁴⁾⁷⁾ | (0.4/0.4);(0.08/0.08);(0.4/0.15) ⁴⁾⁸⁾ |
| 11/15 | 11/15 |
| Electric/hydraulic | Electric/hydraulic |
| 3.0 | 3.0 |
| 3.0 | 3.0 |
| 43 535 | 43 535 |
| 24/375 | 24/375 |
| 220 | 220 |
| 0,71 | 0,71 |
| LAC | LAC |
| 74 | 74 |





Standard Equipment/Optional Equipment

Standard Equipment

Backlit multifunction display with hourmeter, maintenance indication, battery discharge indicator and internal fault code
Truck activated by entering PIN-code or by ignition key
Safe operator compartment with cushioned mat
Workstation incorporating various storage compartments
Power-assisted steering, adjustable steering resistance
Self-centering steering
Automatic speed reduction on turns
OptiLift® system for rising platform and fork carriage (N20VLi)
AC drive motor
Automatic braking on releasing butterfly switch

Electromagnetic emergency brake acting proportionally to the load weight
CAN-bus architecture
Cushion rubber drive wheel
Tandem polyurethane load wheels
Side battery change on rollers 3 PzS or 4 PzS
Different forks length available from 1150 to 2350 mm (N20Vi)
560 mm fork carriage width (N20VLi)
Standard Mast: 750/1320/750 mm (N20VLi)
Electric horn
Low temperature protection to -10°C

Optional Equipment

Drive wheel: polyurethane, cushion non-marking or wet grip
Tandem polyurethane load wheels greasable
Inching buttons
Rotating clipboard
Support for data terminal on a front bow
Front shelf (50kg capacity)
Picking pack: Rotating clipboard with front shelf
Truck activated by biometry with possibility to parameter each driver access - safest truck access monitoring
Speed reduction when initial lift lowered
Fixed battery stand for side battery change
3 meter extension battery cable
Cold store protection -35°C

Other options available on request

Features

Two versions are available

- Compact chassis width of 800 mm
- Model N20Vi, order picker with initial lift and rising platform
- Model N20VLi, order picker with initial lift, rising platform and additional mast. OptiLift® system for ergonomic lay at operator's height



Rising platform

- Wide access of 432 mm and low step-in height (135 mm)
- OptiLift® system to lift the platform provides fully proportional lifting as well as quiet operation
- Lowering can be controlled by a foot switch
- Soft landing of the forks protects load when lowering

Workstation

- Numerous storage compartments all around the controls and operator to store picking tools
- Battery cover's design offers shrink wrapped paper holder and further storage area
- Various optional accessories designed to streamline picking, including large workshelf



Linde multifunction display

- Digital multifunction display as standard with hourmeter, maintenance indication, battery discharge indicator, fault code indication
- Truck activated by PIN-code, ignition key or by the innovative biometrical access (optional)



Energy

- Battery range available from 375 Ah up to 500 Ah
- Safe and easy side battery change (left or right) mounted on rollers
- Linde locking system secures battery in compartment and eases side change
- Direct access to release the battery from the locking system without rising the platform



Drive system

- Powerful, smooth-running AC motor, 3 kW (at 100% output)
- Traction speed adjustable up to 10 km/h, laden or unladen and 5 km/h with the platform is up
- Automatic braking on releasing the travel switch
- Electromagnetic braking initiated by the emergency stop button acts on the drive motor, proportional to the load carried

Power steering & Linde control twin-grip

- Proportional power-assisted steering, self-centering and effortless to operate
- Positive steering feedback results in an efficient stability
- Automatic speed reduction when cornering
- All controls can be accessible by either right or left hand
- Simultaneous driving/lifting action enables fast move in-between two picks

CAN-bus connectivity/Service

- All truck parameters can be configured by the service technician to achieve best performance in every application
- Electronic management of all components permitting quick and easy diagnosis
- Rapid and convenient access to main components via front service panel
- Moisture and dust-proof motor, with zero maintenance requirement

Subject to modification in the interests of progress. Illustrations and technical details not binding for actual constructions. All dimensions subject to usual tolerances.