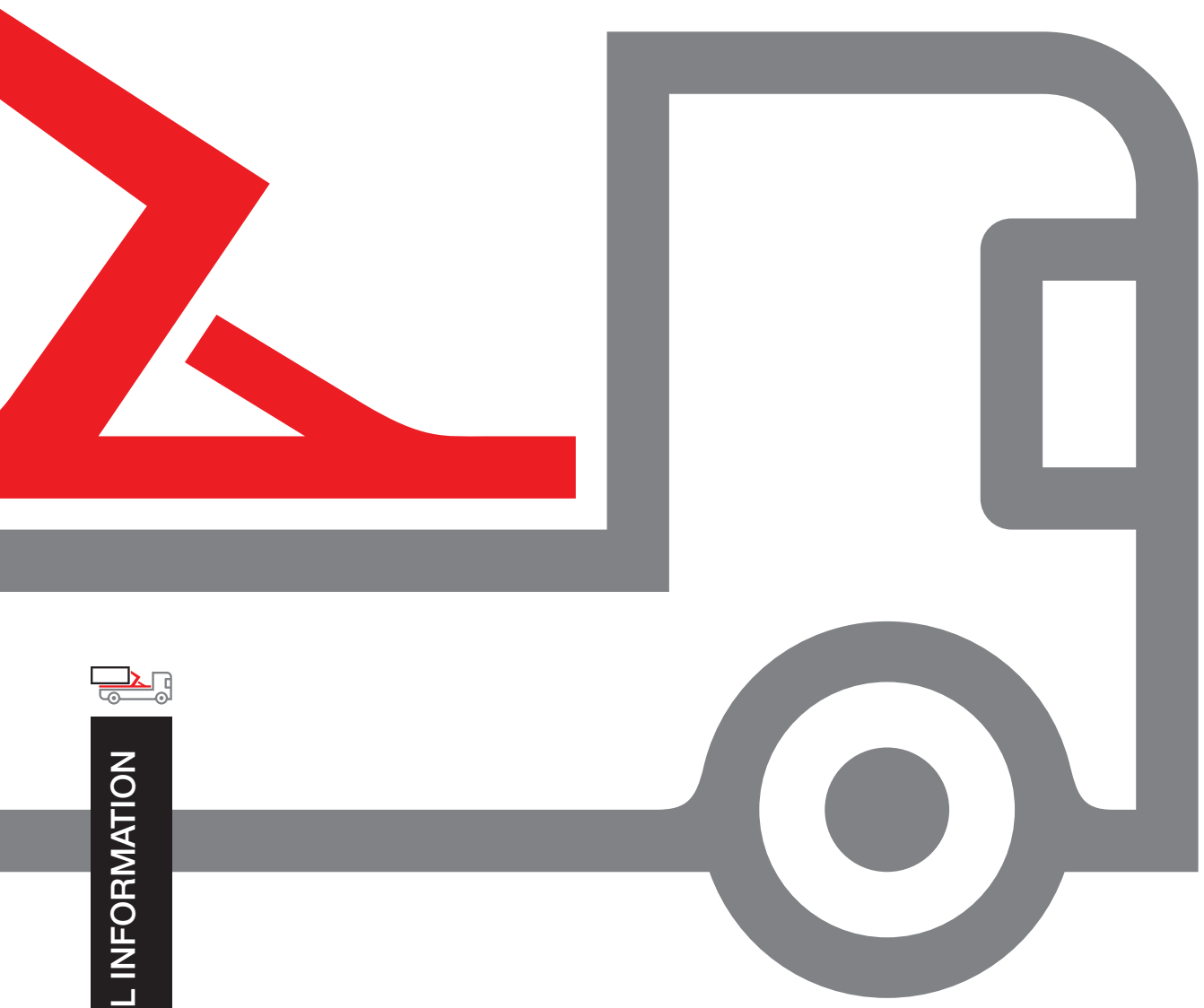


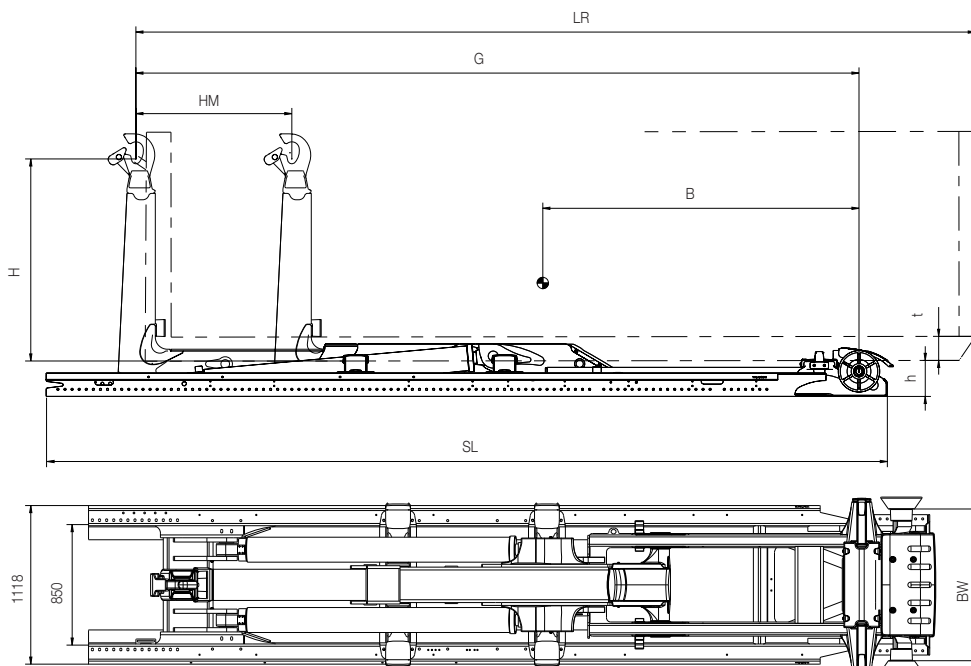
# MULTILIFT ULTIMA 21



TECHNICAL INFORMATION

# MULTILIFT ULTIMA 21S BASIC DATA

Type	ULTIMA 21S						
Vehicle type	3 and 4 axle						
GVW of the vehicle (t)	26						
Capacity (t)	21						
G-length	46	51	53	56	59	61	63
System weight (kg) *	2290	2380	2470	2500	2530	2550	2590
Tipping angle (°)	50	49	53	53	53	49	46
Max. operating pressure (MPa)	30						
Recommended oil flow (l/min)	100						

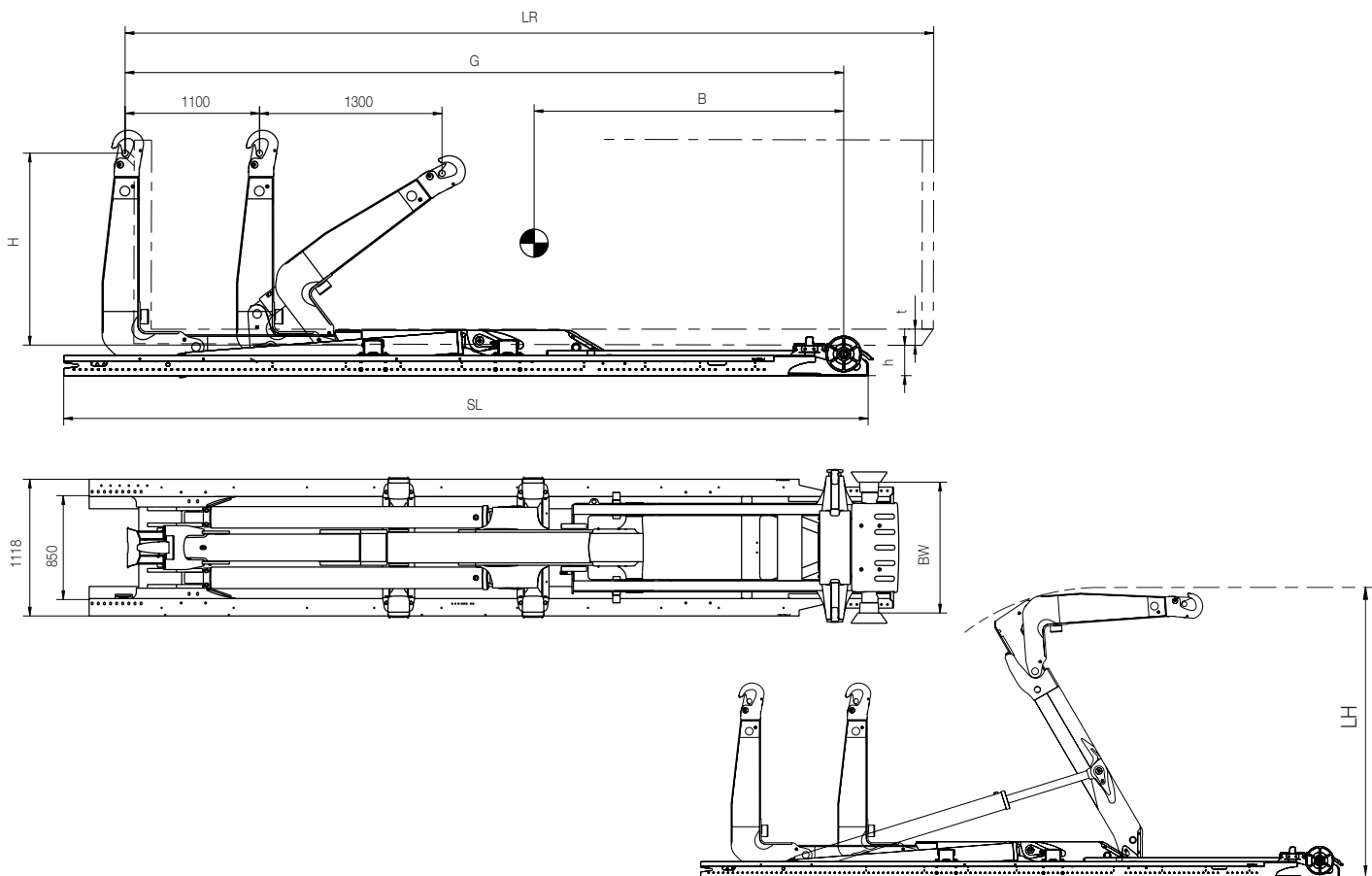


## Primary dimensions

Technical data	ULTIMA 21S.46	ULTIMA 21S.51	ULTIMA 21S.53	ULTIMA 21S.56	ULTIMA 21S.59	ULTIMA 21S.61	ULTIMA 21S.63
LR = Body length (min – max) internal (m)	4,0 – 7,3	4,0 - 5,6	4,3 - 6,1	4,5 - 6,4	4,5 - 6,6	4,7 - 7,0	4,9 - 7,1
BW = Body width (mm)**	1070/1120/1152						
SL = Subframe length (mm)***	5333	5933	6563	6563	6563	6733	6783
B = Centre of gravity (mm)	2450	2700	2850	2950	3000	3150	3300
G = Exact G-length (mm)	4580	5080	5360	5560	5860	6080	6310
HM = Horizontal movement (mm)	900	1100	1100	1300	1450	1450	1450
t = Min. Free tunnel height (body) (mm)**	105/125						
h = Installation height (mm)**	250/270						
H = Hook height (mm)**	1370 / 1400 / 1425 / 1450 / 1570 / 1575						

# MULTILIFT ULTIMA 21Z BASIC DATA

Type	ULTIMA 21Z				
Vehicle type	3 and 4 axle				
GVW of the vehicle (t)	26				
Capacity (t)	21				
G-length	51	53	56	59	61
System weight (kg) *	2690	2720	2770	2810	2840
Tipping angle (°)	53	49	49	52	49
Max. operating pressure (MPa)	30				
Recommended oil flow (l/min)	100				



## Primary dimensions

Technical data	ULTIMA 21Z.51	ULTIMA 21Z.53	ULTIMA 21Z.56	ULTIMA 21Z.59	ULTIMA 21Z.61
LR = Body length (min – max) internal (m)	3,2 - 6,1	3,5 - 6,3	3,5 - 6,3	4,0 - 7,0	4,3 - 7,1
BW = Body width (mm)**	1070/1120/1152				
SL = Subframe length (mm)***	5753	5983	6283	6583	6783
B = Centre of gravity (mm)	2800	2950	3150	3350	3500
G = Exact G-length (mm)	5080	5310	5610	5880	6110
LH = Min. Working height (mm)	2720	2720	2800	3066	3066
t = Min. Free tunnel height (body) (mm)**	105/125				
h = Installation height (mm)**	250/270				
H = Hook height (mm)**	1400 / 1425 / 1450 / 1570 / 1575				

\* Weight includes hydraulic body locking and excludes oil tank and oil.

\*\* Might vary depending on country specifications.

\*\*\* The subframe length (SL) can be reduced to achieve a final installation length.

The minimum installation length depends upon country and control valve position.

For an exact installation length dimension please contact your local MULTILIFT dealer.

# BUILT TO PERFORM

Hiab is the world's leading provider of on-road load-handling equipment, intelligent services and digitally connected solutions. Hiab's offering encompasses class-leading load handling equipment including HIAB loader cranes, LOGLIFT and JONSERED forestry and recycling cranes, MOFFETT truck-mounted forklifts, MULTILIFT demountables, and tail lifts under ZEPRO, DEL, and WALTCO brands. As the industry pioneer, our commitment is to increase efficiency in our customers' businesses and to shape the future of intelligent load handling.

[hiab.com](https://hiab.com)

Hiab is part of Cargotec Corporation.

[cargotec.com](https://cargotec.com)

**Disclaimer.** We reserve the right to make changes. Illustrations, drawings and data are not always in accordance with the latest version or standard model in production. The models in the pictures may present special equipment or colours.

[hiab.com](https://hiab.com)



**MULTILIFT**