

HIAB T-CLX 009



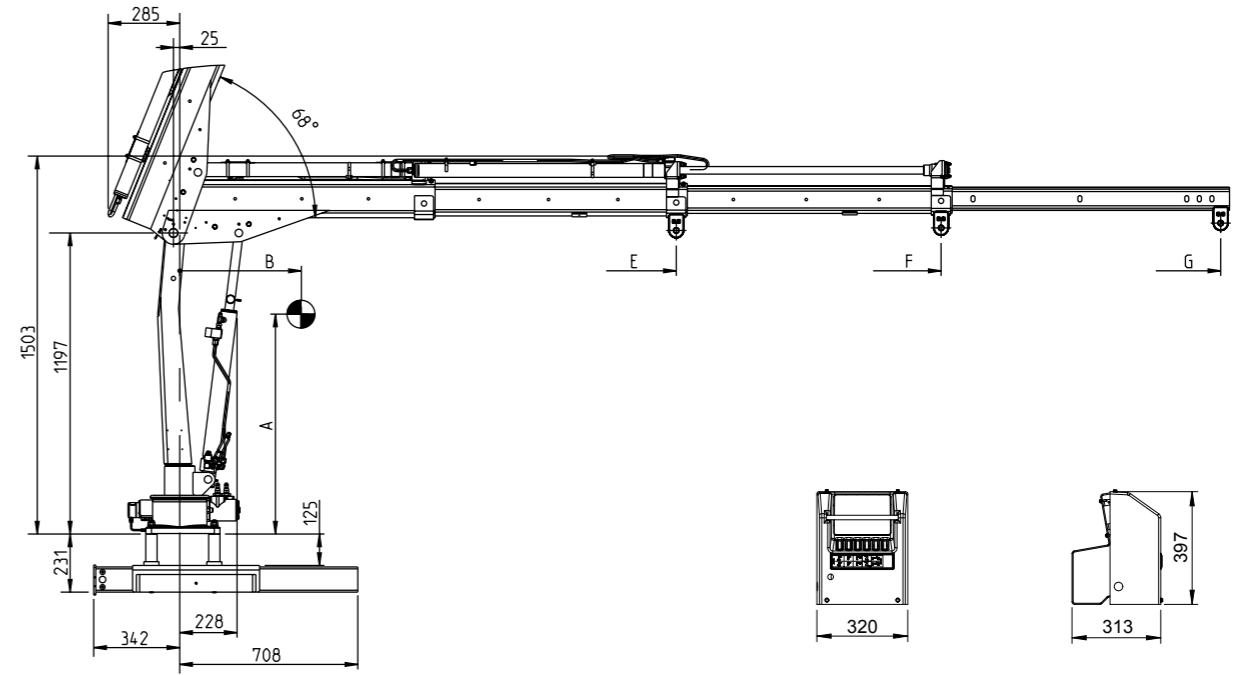
HIAB T-CLX 009 BASIC DATA

Technical data CE/CEN	T-CLX 009-1	T-CLX 009-2
Max. lifting capacity [kNm]	9	9
Lifting capacity [tm]	0,95	0,95
Outreach / lifting capacity, hydraulic extension (m / kg)	1,1/870	1,1/860
	1,8/530	1,8/520 2,7/340
Outreach / lifting capacity, manual extension (m / kg)	2,8/330	3,8/240
Outreach, hydraulic extensions [m]	1,8	2,8
Hydraulic boom extensions [m]	0,8	1,7
Outreach, manual extensions [m]	2,9	3,8
Lifting height above installation level [mm]	3820	3820
Manual Lifting height above installation level inc. Manual ext.[mm]	4750	4750
Recommended oil flow Lo [l/min]	5	5
Power needed at rec. oil flow [kW]	1,5	1,5
Max. working pressure [MPa]	18,5	18,5
Tank Capacity PTO [l]	18	18
Slewing angle [°]	322	322
Max. slope viable at full capacity [°]	5	5
Slewing torque, gross [kNm]	3	3
Slewing speed [°/s]	19	19
Height in folded position [mm]	1298	1342
Width in folded position static mounted [mm]	514	686
Width in folded position truck mounted beam/with stab beam and tilting [mm]	1134/1247	1134/1247
Installation space needed static mounted [mm]	303	303
Installation space needed truck mounted [mm]	426	426
Weight, static mounted [kg]	130	150
Weight, mounting frame plus 1 short hydr. stabiliser legs [kg]	48,8	48,8

This table shows a few examples of models, and represents some of all options available. With the opportunity to configure your crane, we can provide you with a crane perfectly tailored to your needs.

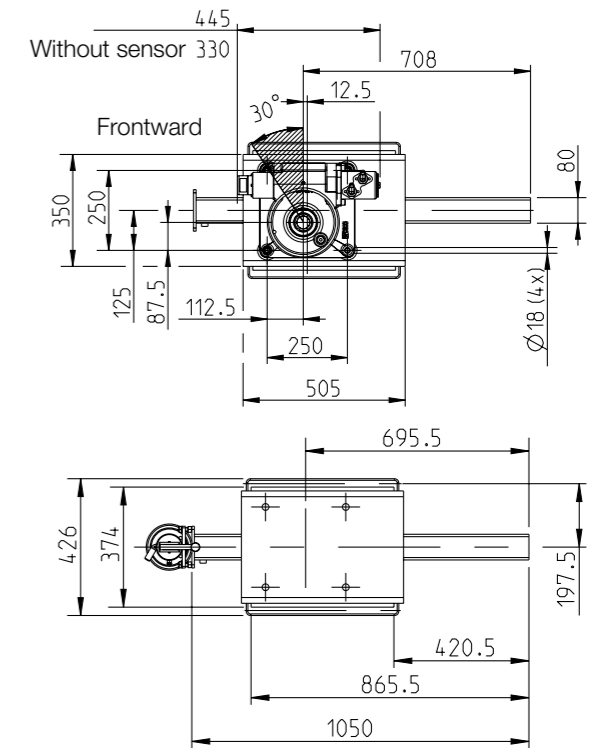
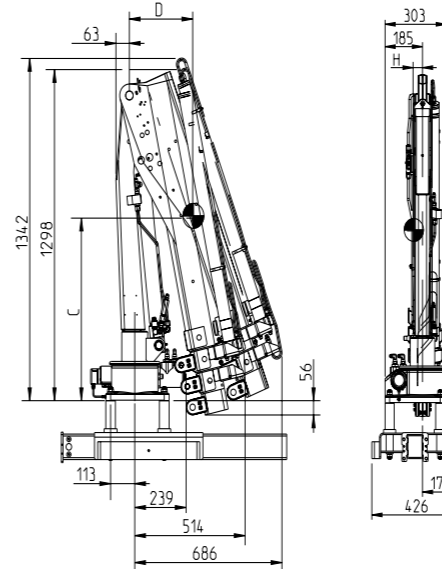
Please contact your local dealer for more information on the variety of options we can offer.

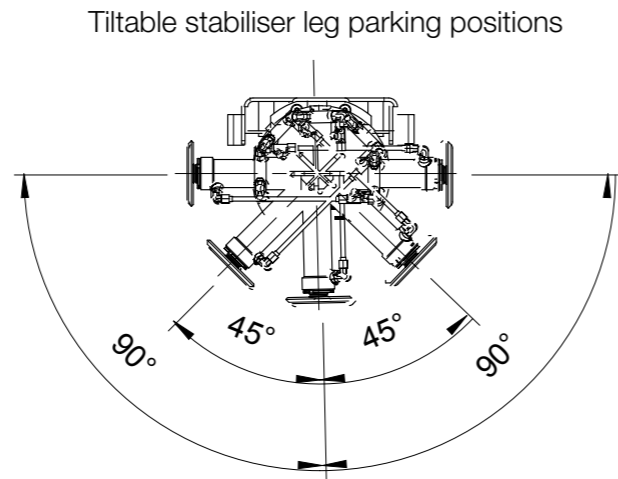
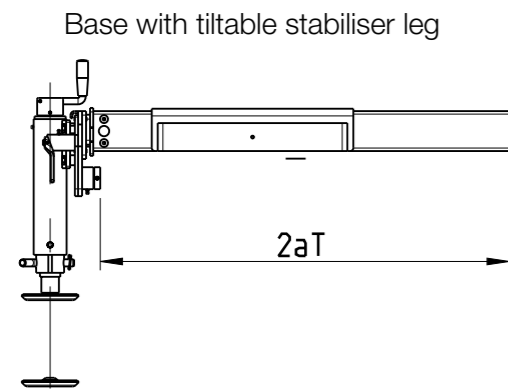
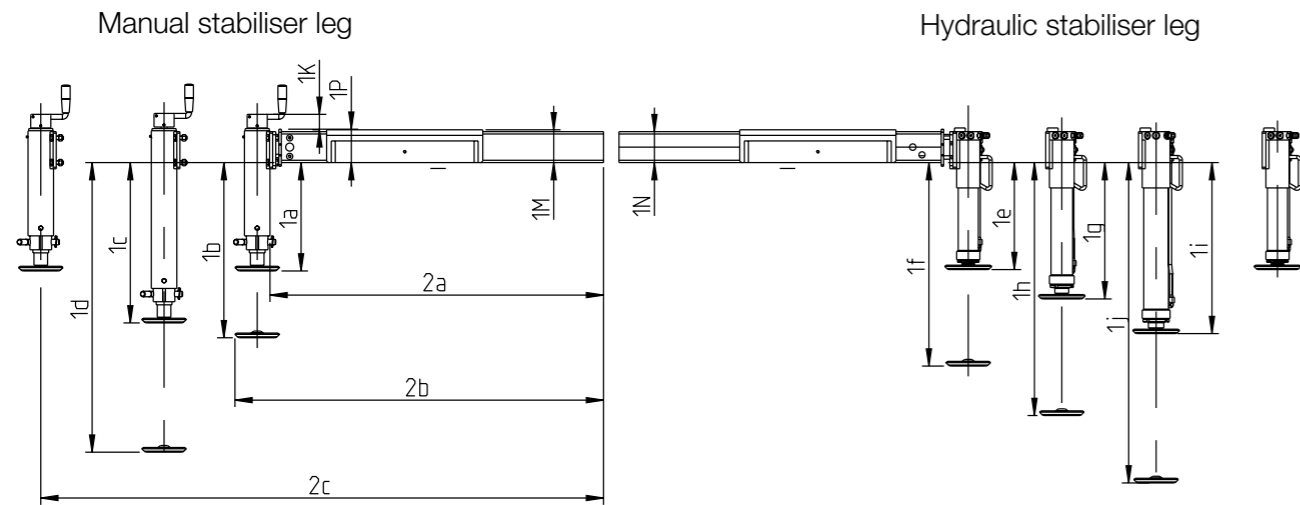
HIAB T-CLX 009



Center of gravity
(without base and stabilisers)

	A	B	C	D	Emin.	Emax.	Fmin.	Fmax.	Gmin.	Gmax.	H
HIAB T-CLX 009-0	680	250	480	20	1084	1974	N/A	N/A	N/A	N/A	50
HIAB T-CLX 009-1	780	480	500	10	1084	1974	1172	3027	N/A	N/A	80
HIAB T-CLX 009-2	800	610	530	10	1084	1974	1172	3027	1257	4139	90





Other base dimensions

	Fixed stabiliser leg position	Tiltable stabiliser leg
1K	56	33
1M	106	106
1N	100	100
1P	108	108

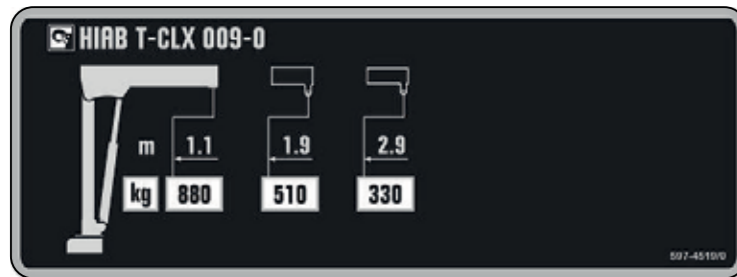
		Stabiliser leg length		
		Fixed stabiliser leg		Tiltable stabiliser leg
Manual stabiliser leg	Short	1a	351	374
		1b	567	590
	Medium	1c	519	542
		1d	937	960
Hydraulic stabiliser leg	Short	1e	346	369
		1f	658	681
	Medium	1g	441	464
		1h	818	841
	Long	1i	553	576
		1j	1036	1059

		Base width		
Hydraulic Stabiliser leg	Fixed stabiliser leg	Stabiliser beam length		
		Short (300 mm)	Medium (800 mm)	
Fixed stabilizer leg position	2a	1137	1157	
	2b	1250	1070	
	2c	1175	1495	1995
Tiltable stabilizer leg	2aT	1080	1100	
	2b	1281	1301	
	2c	1195	1525	2025

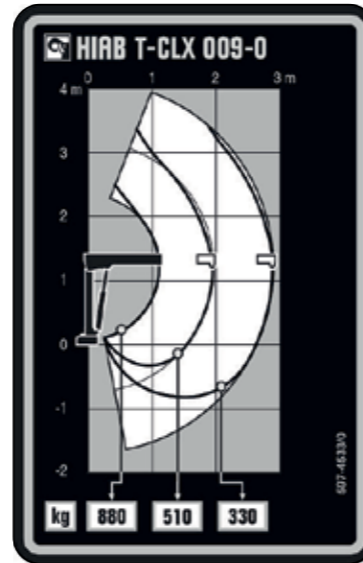
		Base width		
Mechanical Stabiliser leg	Fixed stabiliser leg	Stabiliser beam length		
		Short (300 mm)	Medium (800 mm)	
Fixed stabiliser leg position	2a	1134	1154	
	2b	1247	1267	
	2c	1175	1495	1995
Tiltable stabiliser leg	2aT	1080	1100	
	2b	1277	1297	
	2c	1205	1525	2025

HIAB T-CLX 009

Capacity plate HIAB T-CLX 009-0



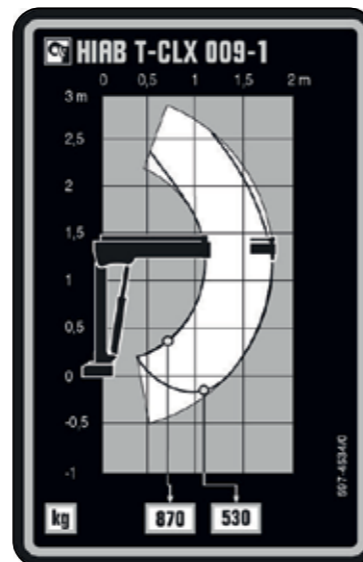
Load diagram HIAB T-CLX 009-0



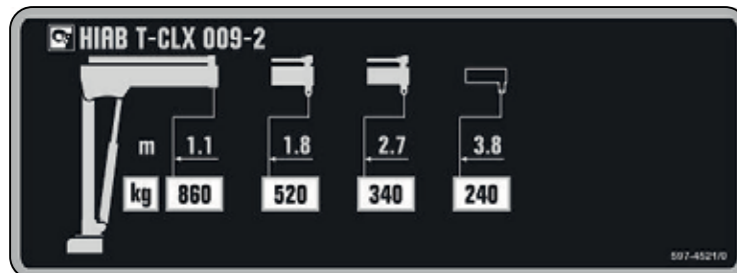
Capacity plate HIAB T-CLX 009-1



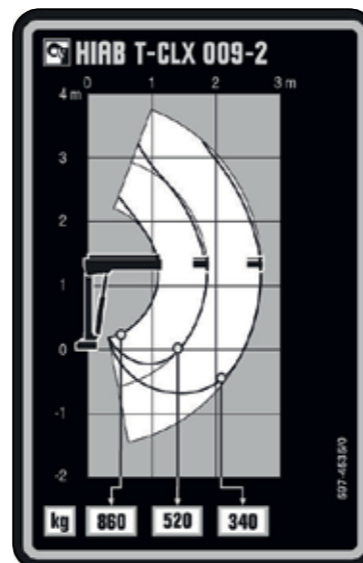
Load diagram HIAB T-CLX 009-1



Capacity plate HIAB T-CLX 009-2



Load diagram HIAB T-CLX 009-2



HIAB T-CLX 009

Notes

BUILT TO PERFORM

Hiab is the world's leading provider of on-road load handling equipment. Customer satisfaction is the first priority for us. Hiab's product range includes HIAB loader cranes, JONSERED recycling and forestry cranes, LOGLIFT forestry cranes, MOFFETT truck mounted forklifts and MULTILIFT demountables, as well as DEL, WALTCO and ZEPRO tail lifts.

hiab.com

Hiab is part of Cargotec.

cargotec.com



© BD-TCL-X009-EN-WW_160314



hiab.com